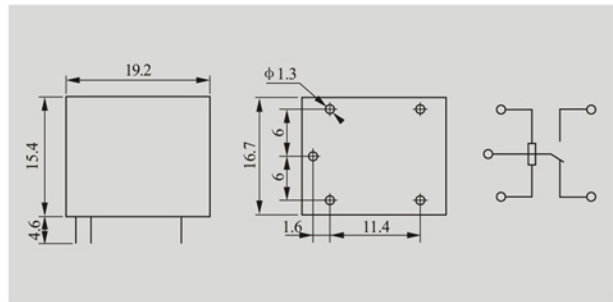


JQC-3F(T73)

JQC-3F(T73)

Size(mm): 19.2×15.5×15.4
 Terminal layout: 1Z、1H
 Contact capacity: 10A 125VAC
 10A 28VDC
 Contact resistance: $\leq 50m\Omega$
 Insulation resistance: $\geq 500M\Omega$
 Dielectric strength: BOC 750VAC
 BCC 1200VAC



Model	Coil nominal voltage	Coil nominal power	Electrical life	Mechanical life	Operating temperature	Weight	Mounting methods
JQC-3F(T73)	DC 3 to 48V	DC $\leq 0.36W$	10^5 OPS	10^7 OPS	-40°C~85°C	$\leq 10g$	Printed-circuit board